

Receiver

From

Society
Reference
Address
Phone
Fax
E-mail

Item n° :

60185582

Model :

GENIX VT 010

Pump data

Min. fluid temperature : 0 °C
Max. fluid temperature : 75 °C
Max. Ambient temperature : 25 °C
Min. Temperature operating : 5 °C
Max Flow : 6,9 m³/h
Max. Head : 8 m
Max. Head (EN12050-3) : 6 m

Requested data

Flow :
Head :
Fluid : Dirty water
Fluid Temperature : 20 °C
Density : 0,998 kg/dm³
Kinematic viscosity : 1 mm²/s
Vapor pressure :

Hydraulic data (duty point)

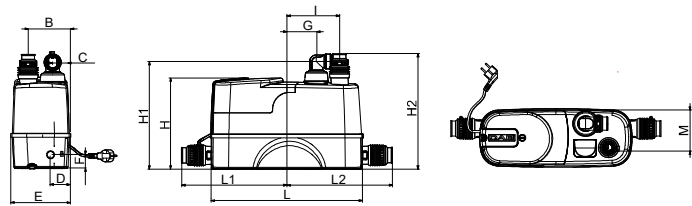
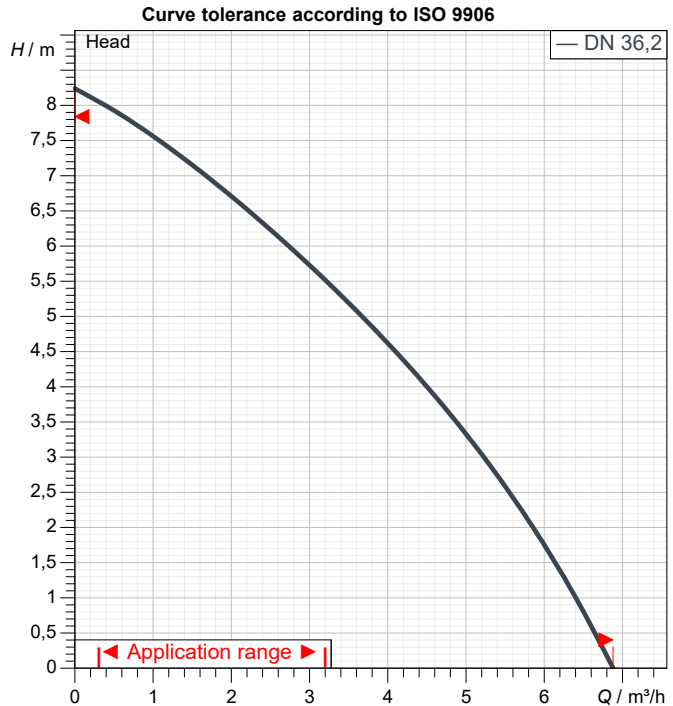
Flow :
Head :

Materials

Impeller : Polypropylene 30% fiber glass
Tank : Polypropylene 30% Barium
Shaft : Stainless steel
Cover : Stainless steel
Soundproofing (COMFORT) : Polypropylene 70% Barium
Grinder : AISI 304/420
OR ring : NBR

Motor data

Motor brand : DAB
Nominal power P2 : 0,32 kW
Rated speed : 2.900 1/min
Rated voltage : 1~ 230 V
Nominal current : 2,5 A
Degree of protection : IP 44



Weight : 10 kg

Dimensions in mm

A	183	G	80	L1	-				
B	125	H	277	L2	-				
C	56	H1	322	M	125				
D	-	H2	346	N	-				
E	178	I	150						
F	-	L	456						

Pump connection

DN 22/25/28/32/36/40



PERFORMANCE CURVES

2019-12-03

Page 2 / 3

DAB PUMPS S.p.A.
Via Marco Polo, 14 - 35035 Mestrino (PD), Italy
Tel. +39 049 5125000 - Fax +39 049 5125950
www.dabpumps.com

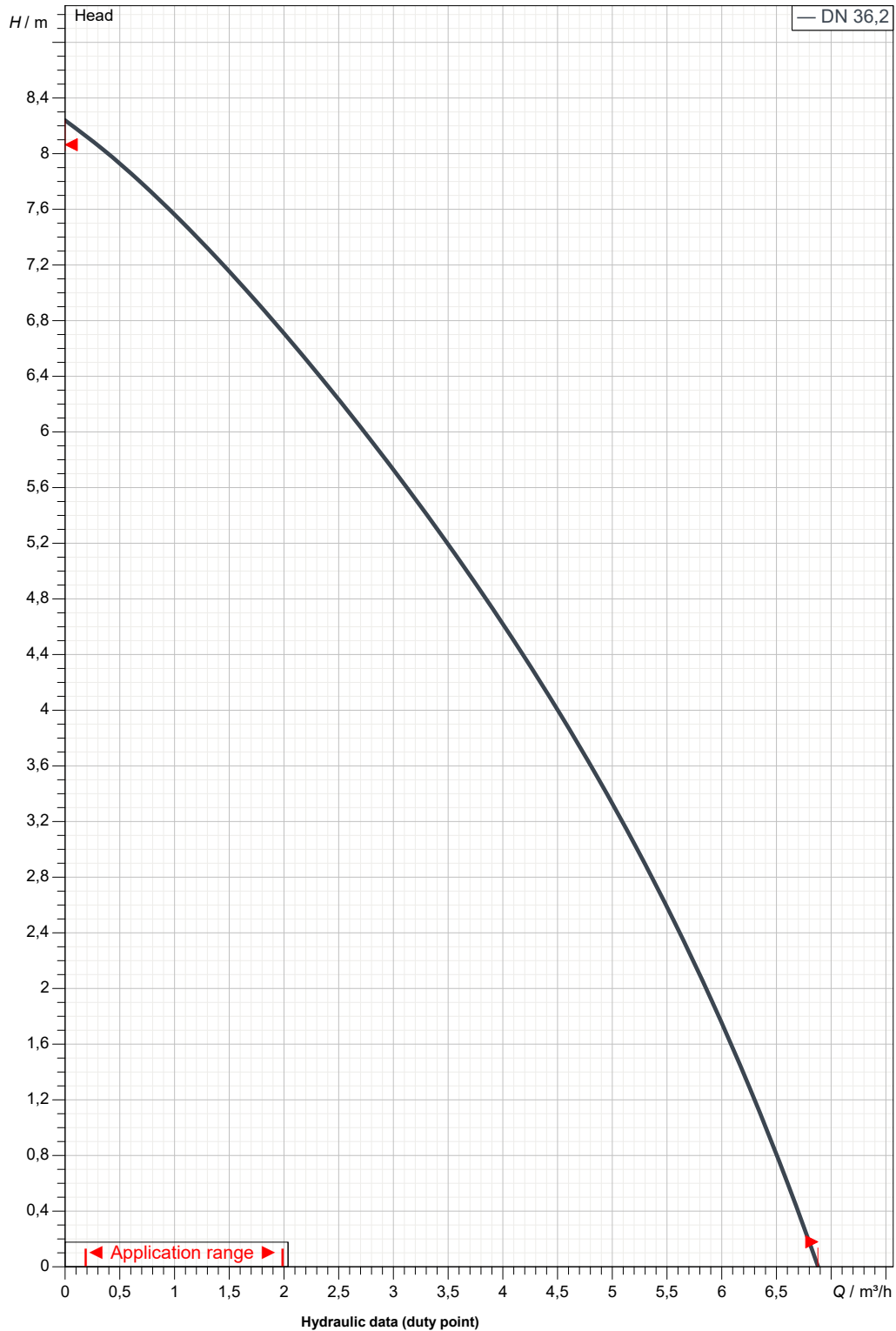
Receiver

From

Society
Reference
Address
Phone
Fax
E-mail

GENIX VT 010

Curve tolerance according to ISO 9906



Suction side :

Discharge side :

Flow :

Head :

Rated speed :

2.900 1/min

MAIN_PROJECT_TITLE

BUSINESS_PROCESS_ID

Progetto senza titolo 2019-12-03 05:48:34.33:

OWNER_

ISSUE_DATE

03/12/2019



DIMENSIONAL DRAWING

2019-12-03

Page 3 / 3

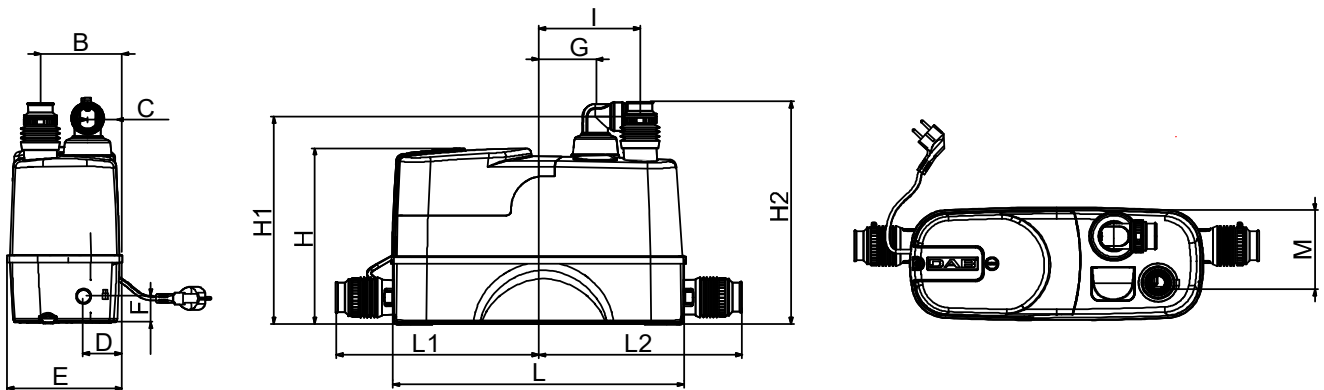
DAB PUMPS S.p.A.
Via Marco Polo, 14 - 35035 Mestrino (PD), Italy
Tel. +39 049 5125000 - Fax +39 049 5125950
www.dabpumps.com

Receiver

From

Society
Reference
Address
Phone
Fax
E-mail

GENIX VT 010



Dimensions in mm

Pump connection

1	A	183	L1	-	Suction	
2	B	125	L2	-		
3	C	56	M	125		
4	D	-	N	-		
5	E	178				
6	F	-				
7	G	80				
8	H	277				Discharge
9	H1	322				
10	H2	346				
11	I	150				
12	L	456				

MAIN_PROJECT_TITLE

BUSINESS_PROCESS_ID

OWNER_

ISSUE_DATE

Progetto senza titolo 2019-12-03 05:48:34.33:

03/12/2019